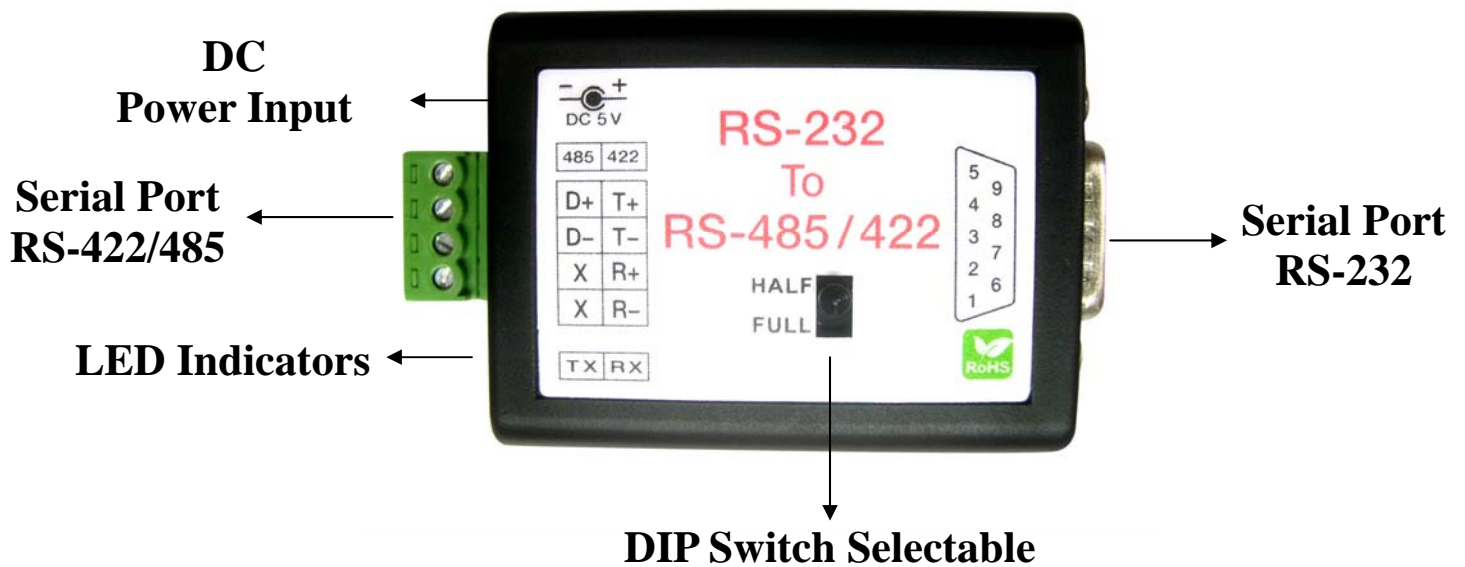


# RS-232 To RS-422 / 485

---

**Model no. SC-485SN**



**Third Edition, Nov. 2010**

# Specification

---

- **RS-232:**
  - Connector: Male DB9
  - Signals: TxD, RxD, GND
  - Loop back: RTS to CTS is shorted; DTR to DSR and DCD is shorted
  - Baud Rate: 300 bps to 115.2 Kbps
  - ESD Protect: 15 KV
- **RS-422/485:**
  - Connector: Terminal
  - RS-422 Signals: TxD+, TxD-, RxD+, RxD- (Surge Protect)
  - RS-485 Signals: Data+, Data- (Surge Protect)
  - Mode: 4-wire RS-422, 2-wire RS-485 (Select RS-422 or RS-485 by DIP Switch)
  - Pull High/Low: 1K/1K Ohm
- **COM Port Power:**
  - Input Power: RS-232 Port Power, TxD, RTS, DTR
- **External Power Adapter:**
  - Power Protect: YES
  - Power: 5~7V DC
  - Power consumption: 20 mA @ 5V DC (termination disabled)
- **Signal LED: Tx, Rx**
- **Distance: up to 4000 feet (1250 M)**
- **Dimension: 55 x 40 x 25 mm (W x D x H)**
- **Weight: 35 gm**
- **Environment**
  - Operating Temperature: 0~60°C
  - Storage Temperature: -20 to 85°C
  - Humidity: 5~95 % RH
- **Regulatory Approval:**
  - CE, FCC
  - RoHS

# Wiring Diagram

---

## □ Point To Point: RS-422 Full-duplex (4 wires)

DIP switch please select “FULL”.



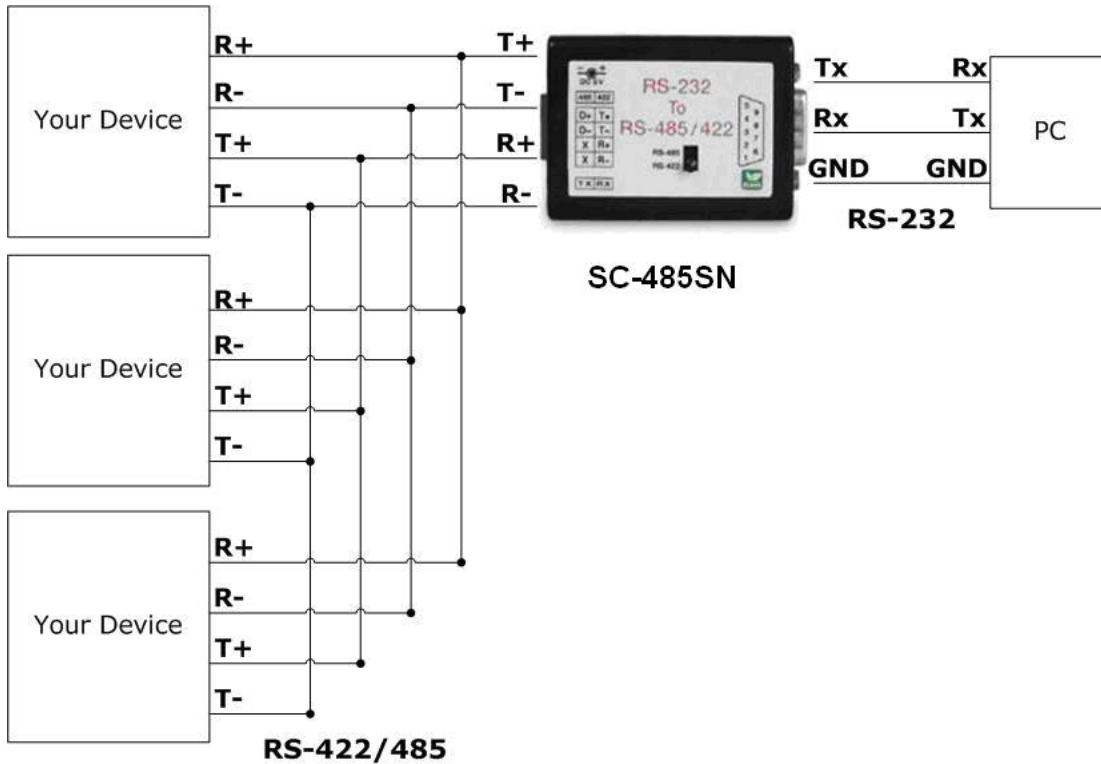
## □ Point To Point: RS-485 Half-duplex (2 wires)

DIP switch please select “HALF”.



# Wiring Diagram

## ❑ Multidrop: RS-422 Full-duplex (4 wires)



## ❑ Multidrop: RS-485 Half-duplex (2 wires)

