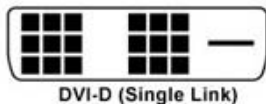


VC-100DV DVI to VGA Converter



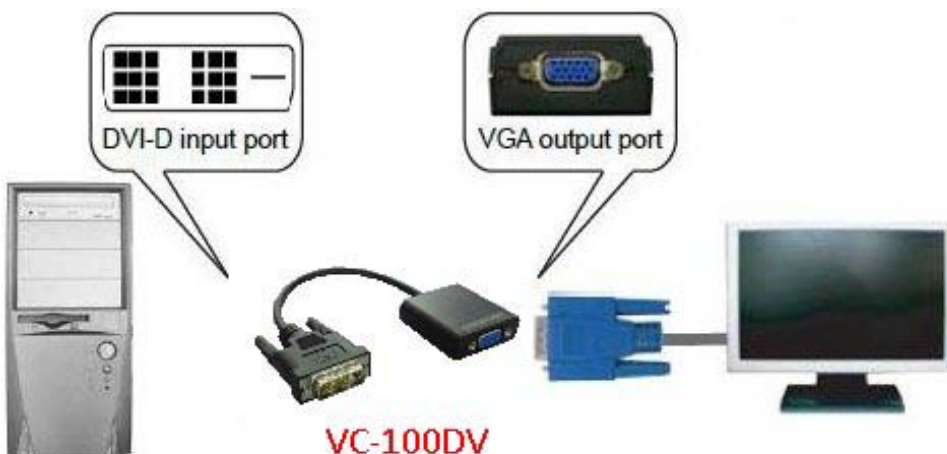
DVI-D (Single Link)

VC-100DV is a high-performance single-chip DVI/HDMI to VGA converter, combined with DVI 1.0 receiver and triple DACs, this converter supports DVI input and VGA output by conversion function. Helpful for NBs, Ultrabooks and tablets to be compatible with traditional VGA only projectors, monitors, and TVs

Features:

- One DVI-D (18+1) input port to One VGA (HDB-15F) output
- Converts Digital DVI signal into Analog PC/RGB
- Supports Full HD (1080P) CEA display format, WUXGA(1920X1200 RB mode) and UXGA (1600x1200) VESA display format
- Supporting link speeds of up to 2.25Gbps (link clock rate of 225MHz)
- Supports Plug and Play
- Fully compliant with HDMI 1.3a specification (With HDMI Connector)
- Connector : DVI 18+1 male connector with 15cm Cable
- None power operation

Application:



Specifications:

Model no.	VC-100DV
Input port	1 x DVI -D male (18+1)
Output port	1 x D-SUB 15pin female (analog)
Resolution	1080p, 1600*1200 (UXGA), 1920*1200 (WUXGA)
Power Source	None Power
Size	54*46*15mm
Weight	65g
Working Temperature	5 ~40°C