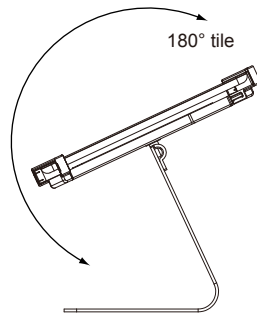
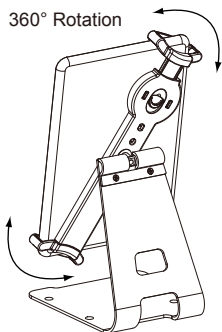
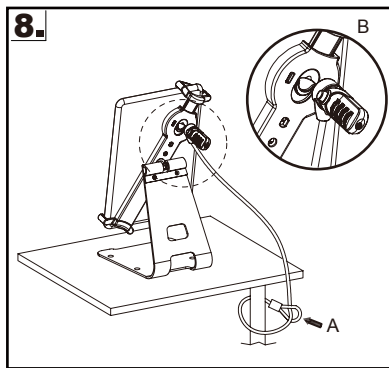
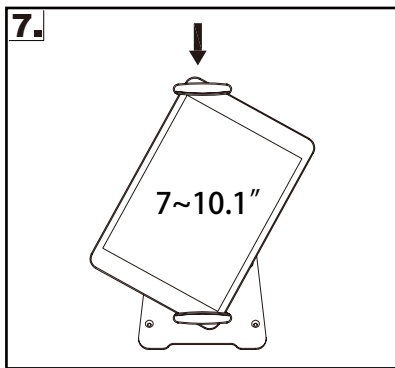
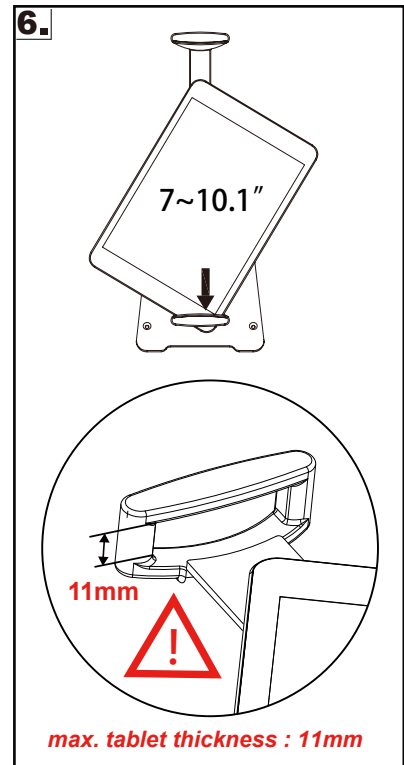
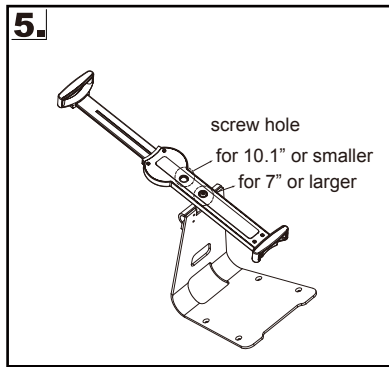
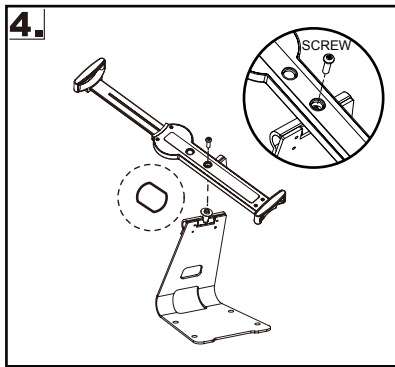
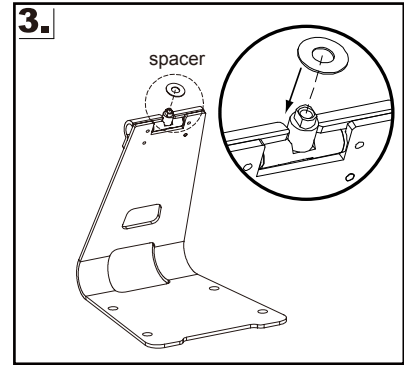
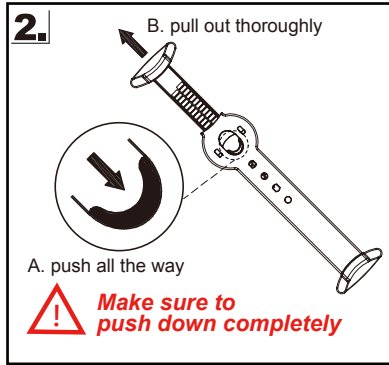
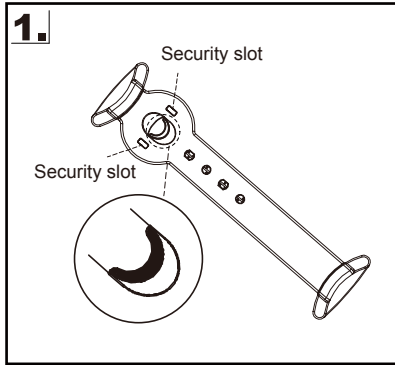
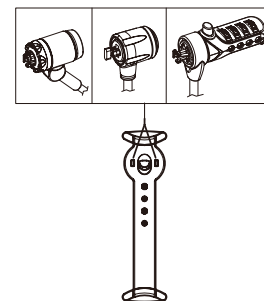


INSTALLATION INSTRUCTIONS



Available with various locking solutions in the security slot.



* For Adjustable Tablet Lock only, please refer to step 1, 2, 6, 7 and 8 of installation instructions.