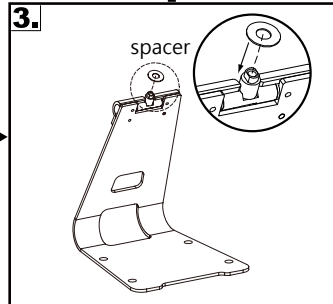
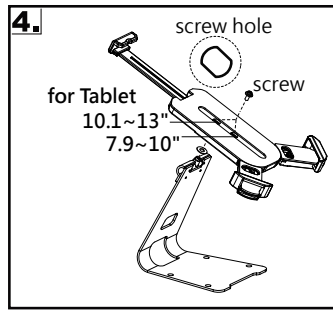
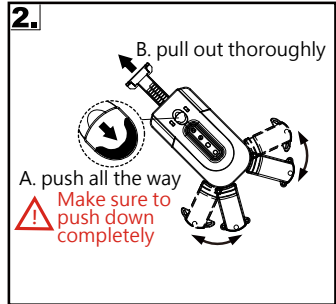
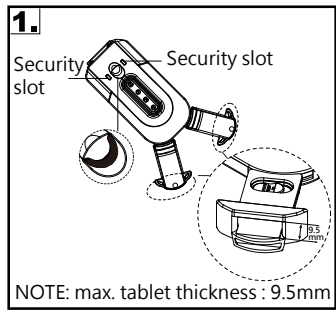
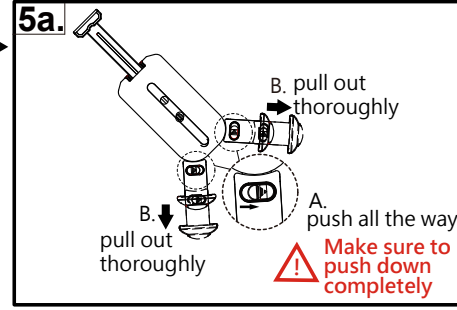


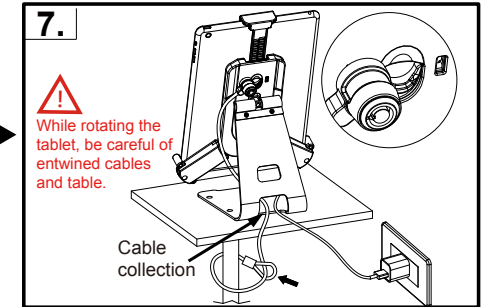
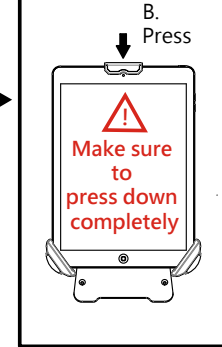
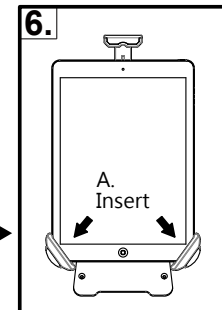
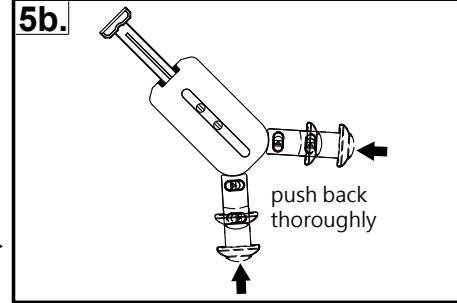
# INSTALLATION INSTRUCTIONS



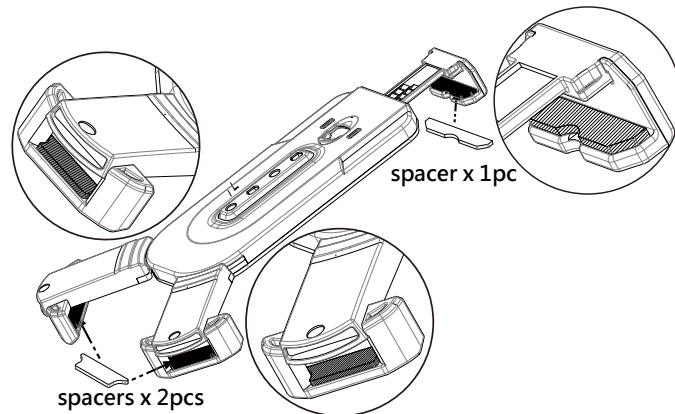
For Tablet 10.1~13"



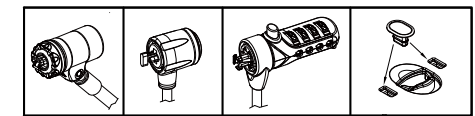
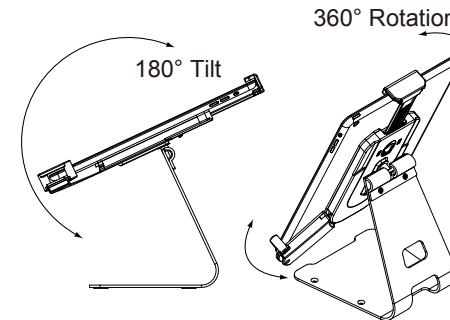
For Tablet 7.9~10"



- Fit tablets from the iPad Mini (7.9" ) all the way to the iPad Pro (12.9" ) or similar tablet models and sizes.
- For Adjustable Tablet Lock only, please refer to step 1, 2, 5, and 6 of installation instructions.



Use the extra spacers for better fitting if needed for thinner tablet.



apply to camera holder  
(1/4-20UNC screw)  
& our velcro strap holder

apply to our  
standard stand  
(M4 screw) only

